

WideLux WDR CCTV Camera

The versatile VC58S Box camera is designed for optimum Day & Night surveillance, with 2 modes of DNR and Wide Dynamic Range.

WideLux technology is unmatched in visual quality, with exceptional high resolution images and low light sensitivity.

True Day/Night performance is made possible by the mechanical IR cut filter. The transition from day to night mode is accurately detected by the integrated CDS sensor, and you can program it to switch at a designated level.

The C/CS mount accepts a wide range of lenses, and the high performance features make the VC58S a fine solution for demanding lighting environments where you need the sharpest image possible.



Shown with optional lens

WideLux™



Conventional



WideLux

Super Low Light Performance with Multi-Scan CCD.

Conventional WDR cameras use a Double Scan CCD to extend dynamic range. However, this comes at the expense of light sensitivity, requiring twice as much light compared to a Single Scan CCD. WideLux double scans the CCD in situations requiring WDR. When the ambient lighting becomes weak, WideLux reverts back to single scan mode, doubling light sensitivity.



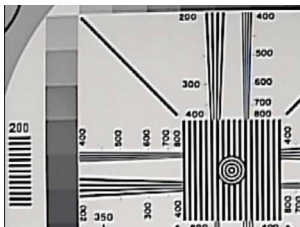
Conventional



WideLux

Linear Wide Dynamic Range

A normal WDR sensor has difficulty with low-contrast scenes. The non-linear process results in lower shadow detail in many scenarios. WideLux balances the wide dynamic process, retaining detail under a wider range of lighting conditions.



600/650 TVL High Resolution

The WideLux Image Signal Processor employs a special timing generator that extracts the maximum detail possible from the CCD, and provides superior detail in both vertical and horizontal planes.



WideLux Features

- 1/3" Sony Super HAD CCD II
- High Resolution 600 TVL Color, 650 TVL B&W
- 0.0001 lux min. Illumination (Sens-up)
- sWDR
- 2D/3D Digital Noise Reduction
- Electronic Image Stabilizer
- Anti-Color Rolling
- Highlight Eclipse
- Digital Image Stabilizer

Features

- IR Cut Filter for True Day/Night
- Optical Photo Sensor for accurate Day/Night
- C/CS lens mount with Flange back focus
- RS485 & program buttons to control OSD
- 12VDC/24VAC, auto-polarity

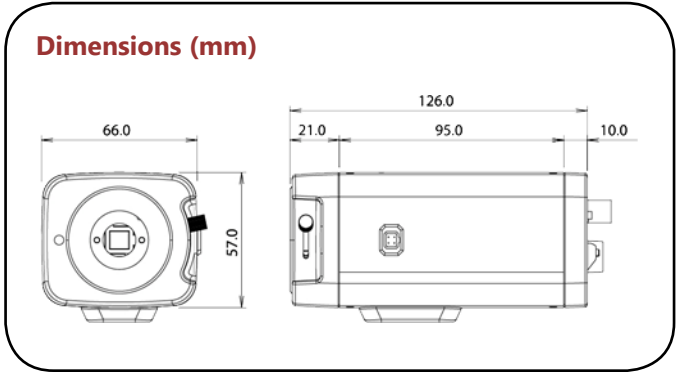


VC58S SPECIFICATIONS

Video	
CCD Sensor	1/3" Sony Super HAD CCD II
Effective Pixels	768x494
Horizontal Resolution	600 TVL (Day) / 650 TVL (Night)
Sync	Internal
Scanning System	NTSC 525 lines; 2:1 interlace
Video Output	1.0 Vpp composite 75 ohms
S/N ratio	>52dB (AGC Off)
Minimum Illumination	0.1 lux (Sens-up off), 0.0001 lux Sens-up On
Gamma Correction	Standard $\gamma=0.45$
Smear Effect	0.005%
Power Source	12VDC/24VAC, Auto polarity
Operating Current	12VDC: 200mA 24VAC: 90mA
Lens Mount	C/CS
Iris Control	DC/Manual
Operating Temperature	14F-122F (-10C+50C)
Humidity	Within 90% RH
Measurement, inches (mm)	66mm x 57mm x 126mm (Width x Height x Length)
Weight	550 grams

Connectors/Switches	
Main Video Output	BNC x 1, 1.0Vpp, 75 ohm, composite video
Power	Screw Terminal Block
RS485	Spring clamp Terminal Block
Iris	4 pin jack
OSD	5 button

WideLux OSD Features	
Camera Title	15 Char. alphanumeric, adjustable position
Automatic Gain Control	Off/Low/Middle/High
Shutter	1/160-1/90,000 sec/A. FLK/Off/Auto/X2-X512
Sens-Up	Off/Auto 2x-Auto 512x
WDR/BLC/ECLPS	WDR: Low/Middle/High (Highlight) Eclipse: Programmable BLC: Low/Middle/High
White Balance	ATW/Push Lock/Manual/Col-Roll
Digital Noise Reduction	2DNR/3DNR programmable
Effects	Digital Zoom: 1x-6x Image Freeze: On/Off D-Effect: Off/Rotate/Mirror/V-Flip
Motion Detection	8 Programmable Zones
Privacy Mask	8 Programmable Zones
Language	English/Francais/Espanol/Russian/Korean
Digital Stabilizer	On/Off
RS485	Pelco D, Programmable



VC58S Series Feature Matrix

Model	Power
VC58S-24	12VDC/24VAC

